

1324

CARSON® *Spec Grade*

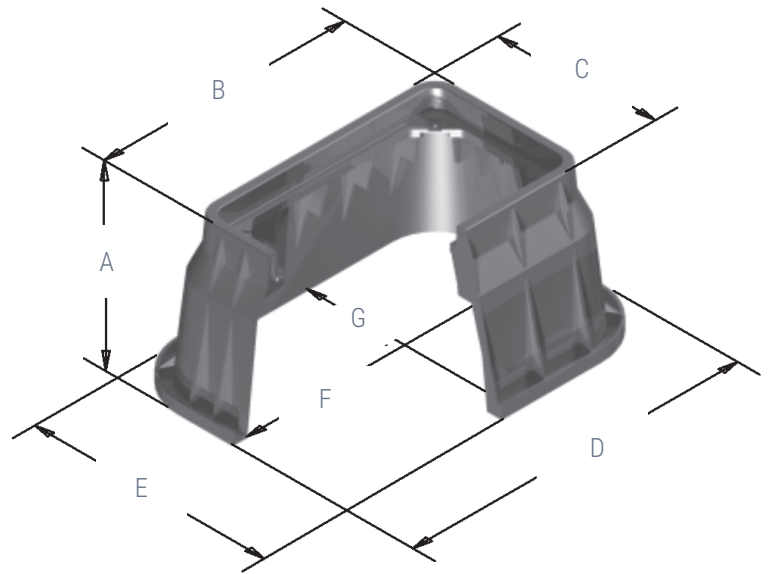
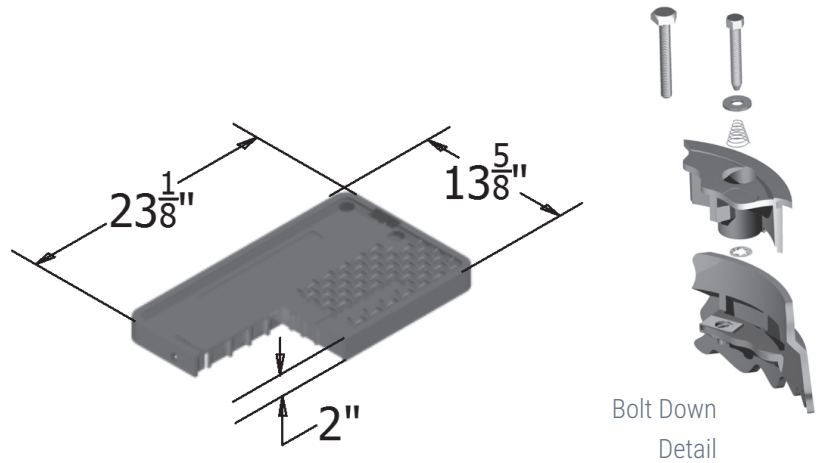
COVER

- Style: Flush
- Material: HDPE
- Model: 13" x 24"
- Weight: 6 lbs
- Std. Fasteners: 3/8" Hex Bolt
- Options: Logos and Special Markings
- Surface: Skid Resistant & Marked
- Performance: Pedestrian, ASTM C857, WUC 3.6

Cover comes standard with permanent markings for manufacturer and model size.

BODY

- Material: HDPE
- Model: 13" x 24"
- Weight: 12" Depth: 15 lbs
15" Depth: 17 lbs
- Wall Type: Flared
- Mouseholes: 0
- Performance: Pedestrian, ASTM C857, WUC 3.6



LOAD RATING / NOTES



LIGHT DUTY
PEDESTRIAN / GREENBELT

For use in non-vehicular traffic situations only. Weights and dimensions may vary slightly. Actual load rating is determined by the box and cover combination.

A	B	C	D	E	F	G
12"	25-1/4"	15-3/4"	32"	22-1/2"	29"	19-5/8"
15-1/4"	25-1/4"	15-3/4"	32-3/4"	23-1/4"	29-3/4"	20-1/4"

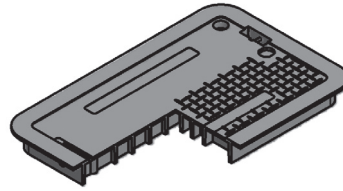


1324

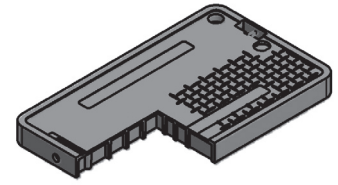
CARSON[®] *Spec Grade*

COVER OPTIONS

- HDPE, T-Cover Solid
- HDPE, Flush Solid
- HDPE, Flush with Plastic Reader Door
- HDPE, Flush with Cast Iron Reader Door



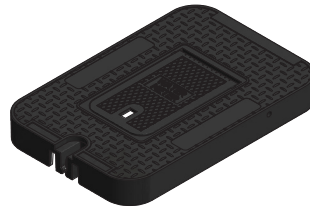
T-Cover Solid



Flush Solid

COLOR OPTIONS

- Cover: Black, Green, Tan, Purple, Blue
- Body: Black, Green, Tan, Purple, Blue
- Extension: Black, Green, Tan, Purple, Blue



Reader Door Detail

FASTENER OPTIONS

- Hex Head Bolt (A)
- Penta Head Bolt (B)
- Penta Head Coil Thread Bolt (B)
- Oldcastle Vandal Resistant Bolt (C)
- Captive Bolt Retainer
- Drop-N-Lock™
- L Bolt



Standard Thread



A



B



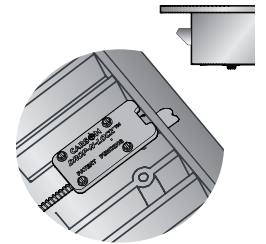
C



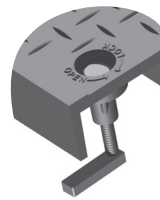
Coil Thread



Bolt Retainer
(for standard thread)



Drop-N-Lock
(T-Cover only)



L Bolt Detail



EMS Marker

ADD ON OPTIONS

- Touch Read Hole
- EMS Marker
- Racking Provision

⚠ WARNING: Cancer - www.P65Warnings.ca.gov

All information contained on this sheet is current at the time of publication.
Oldcastle reserves the right to discontinue or update product information without notice.

Revision 11/30/18
© 2018 Oldcastle Infrastructure